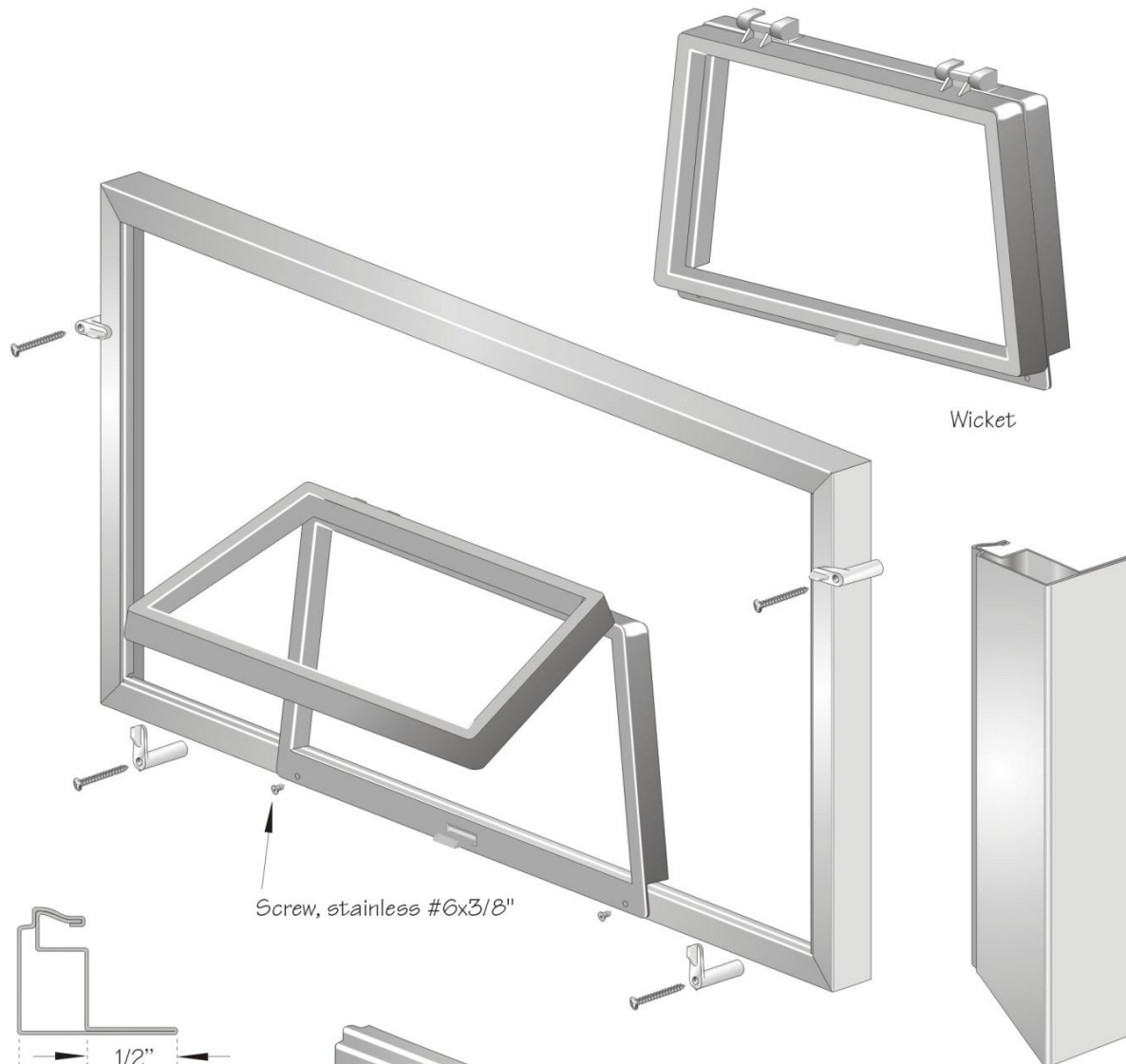
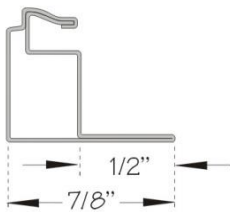


1/2" Standoff Screen with Wicket Door



Wicket

Screw, stainless #6x3/8"



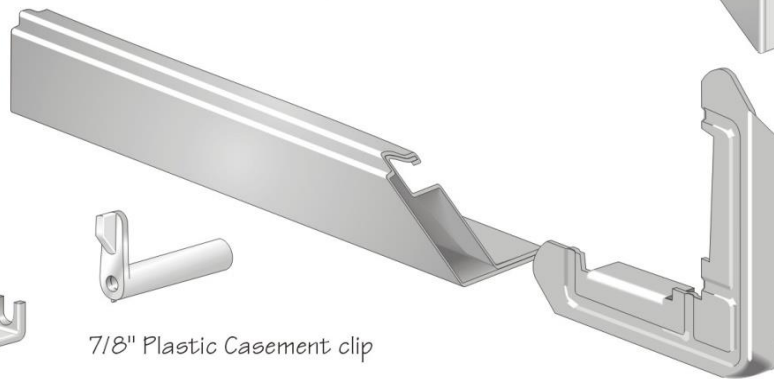
Casement Clip Screws
#10 x 24 x 1 1/4" machine
Zinc or Black zinc



7/8" Aluminum Casement clip



7/8" Plastic Casement clip



Inside Corner
(Miter corner)

Casement Clip Screws
#10 x 24 x 1 1/4" sheet metal
Zinc or Black zinc



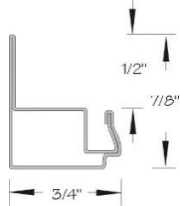
Lic. #223-02 TE-SC-OC-2520CQ

4625 CHENNAULT BEACH RD. ■ MUKILTEO, WA 98275

(206) 623-6141 ■ (425) 347-0947 ■ (206) 622-3497 ■ Fax (206) 622-6933

WICKET SCREENS

ALUMINUM FRAMES - FIBERGLASS MESH - MITERED CORNERS - NET PRICES



1/2 STAND OFF

WHITE

GRAY

BRONZE

	24	30	36	42	48	54	60
24	31.10	34.99	36.30	39.93	43.56	47.19	50.82
30	34.99	36.30	39.93	43.56	47.19	50.82	54.45
36	36.30	39.93	43.56	47.19	50.82	54.45	58.80
42	39.93	43.56	47.19	50.82	54.45	58.08	61.71
48	43.56	47.19	50.82	54.45	58.08	61.71	65.34
54	47.19	50.82	54.45	58.08	61.71	69.98	73.87
60	50.82	54.45	58.08	61.71	65.34	73.87	77.76
66	58.32	62.21	66.10	69.98	73.87	77.76	81.65
72	62.21	66.10	69.98	73.87	77.76	89.84	94.12

DOUBLE WICKET 10.00

SLIDING WICKET 65.00

LONG LEG FLAT 10.00 DEDUCT

FULL OPEN 65.00

SCREEN MESH OPTIONS - SEE PAGES BELOW



TEEN SCREEN & WINDOW

TESCO
GLASS PRODUCTS

Lic. #223-02 TE-SC-OC-2520CQ

4625 CHENNAULT BEACH RD. ■ MUKILTEO, WA 98275

(206) 623-6141 ■ (425) 347-0947 ■ (206) 622-3497 ■ Fax (206) 622-6933

ULTRAVUE MESH ADD ON

NET PRICES

	24	30	36	48	60
24	6.48	7.29	8.10	9.72	11.34
30	7.29	8.10	8.91	10.53	12.15
36	8.10	8.91	9.72	11.34	12.96
42	8.91	9.72	10.53	12.15	13.77
48	9.72	10.53	11.34	12.96	14.58
54	10.53	11.34	12.15	13.77	15.39
60	11.34	12.15	12.96	14.58	17.52
66	12.15	12.96	13.77	15.39	18.40
72	12.96	13.77	14.58	17.52	19.27
78	13.77	14.58	15.39	18.40	22.91
84	14.58	15.39	17.52	19.27	23.90
90	15.39	17.52	18.40	22.91	24.90
96	17.52	18.40	21.91	23.90	40.56

RECOMMEND CROSSBAR BELOW DARK LINE

ADD 2.00 FOR WICKET	ADD 4.00 FOR DOUBLE WICKET
---------------------	----------------------------



Lic. #223-02 TE-SC-OC-2520CQ

4625 CHENNAULT BEACH RD. ■ MUKILTEO, WA 98275

(206) 623-6141 ■ (425) 347-0947 ■ (206) 622-3497 ■ Fax (206) 622-6933

PET / SUN MESH ADD ON

NET PRICES

	36	48	60
24	15.30	18.36	21.42
30	16.83	19.89	22.95
36	18.36	21.42	24.48
42	19.89	22.95	26.01
48	21.42	24.48	27.54
54	22.95	26.01	29.07
60	24.48	27.54	36.24
66	26.01	29.07	38.05
72	27.54	36.24	39.86
78	29.07	38.05	51.20
84	36.24	39.86	53.42
90	38.05	51.20	55.65
96	48.97	53.42	89.89

RECOMMEND CROSSBAR BELOW DARK LINE

ADD 3.00 FOR WICKET	ADD 6.00 FOR DOUBLE WICKET
---------------------	----------------------------



Lic.#223-02 TE-SC-OC-2520CQ

4625 CHENNAULT BEACH RD. ■ MUKILTEO, WA 98275

(206) 623-6141 ■ (425) 347-0947 ■ (206) 622-3497 ■ Fax (206) 622-6933

ALUMINUM MESH ADD ON

NET PRICES

	24	30	36	48	60
24	13.63	15.34	17.04	20.45	23.86
30	15.34	17.04	18.74	22.15	25.56
36	17.04	18.74	20.45	23.86	27.26
42	18.74	20.45	22.15	25.56	28.97
48	20.45	22.15	23.86	27.26	30.67
54	22.15	23.86	25.56	28.97	32.38
60	23.86	25.56	27.26	30.67	41.40
66	25.56	27.26	28.97	32.38	43.47
72	27.26	28.97	30.67	41.40	45.54
78	28.97	30.67	32.38	43.47	58.79
84	30.67	32.38	41.40	45.54	61.34
90	32.38	41.40	43.47	58.79	63.90
96	41.40	43.47	56.23	61.34	97.66

RECOMMEND CROSSBAR BELOW DARK LINE

ADD 4.00 FOR WICKET	ADD 8.00 FOR DOUBLE WICKET
---------------------	----------------------------



Lic.#223-02 TE-SC-OC-2520CQ

4625 CHENNAULT BEACH RD. ■ MUKILTEO, WA 98275

(206) 623-6141 ■ (425) 347-0947 ■ (206) 622-3497 ■ Fax (206) 622-6933

ALLERGY / VIRUS GUARD MESH ADD ON

NET PRICES

	24	30	36	48	60
24	16.32	18.36	20.40	24.48	28.56
30	18.36	20.40	22.44	26.52	30.60
36	20.40	22.44	24.48	28.56	32.64
42	22.44	24.48	26.52	30.60	34.68
48	24.48	26.52	28.56	32.64	36.72
54	26.52	28.56	30.60	34.68	38.76
60	28.56	30.60	32.64	36.72	50.40
66	30.60	32.64	34.68	38.76	52.92
72	32.64	34.68	36.72	50.40	55.44
78	34.68	36.72	38.76	52.92	66.24
84	36.72	38.76	50.40	55.44	69.12
90	38.76	50.40	52.92	66.24	72.00
96	50.40	52.92	63.36	69.12	84.24

RECOMMEND CROSSBAR BELOW DARK LINE

ADD 6.00 FOR WICKET	ADD 12.00 FOR DOUBLE WICKET
---------------------	-----------------------------



Lic. #223-02 TE-SC-OC-2520CQ

4625 CHENNAULT BEACH RD. ■ MUKILTEO, WA 98275

(206) 623-6141 ■ (425) 347-0947 ■ (206) 622-3497 ■ Fax (206) 622-6933

BRONZE WIRE MESH ADD ON

NET PRICES

	36	48	60
24	28.32	33.98	39.65
30	31.15	36.82	50.94
36	33.98	47.54	63.46
42	44.15	50.94	67.42
48	47.54	63.46	71.39
54	50.94	67.42	75.35
60	54.34	71.39	79.32
66	57.73	75.35	96.64
72	71.39	79.32	101.24
78	75.35	96.64	105.85
84	79.32	101.24	135.94
90	96.64	105.85	141.60
96	101.24	110.45	147.26

RECOMMEND CROSSBAR BELOW DARK LINE

ADD 8.00 FOR WICKET	ADD 16.00 FOR DOUBLE WICKET
---------------------	-----------------------------



Lic. #223-02 TE-SC-OC-2520CQ

4625 CHENNAULT BEACH RD. ■ MUKILTEO, WA 98275

(206) 623-6141 ■ (425) 347-0947 ■ (206) 622-3497 ■ Fax (206) 622-6933

WICKET SCREEN CODES

FLAT WICKETS

FW	WICKET
FDW	DOUBLE WICKET
FFO	FULL OPEN
FOFO	OFFSET FULL OPEN

1/2" STANDOFF WICKETS

W	WICKET
DW	DOUBLE WICKET
FO	FULL OPEN
OFO	OFFSET FULL OPEN
SLF	NO WICKET DOOR

3/4" STANDOFF WICKETS

LLW	WICKET
LLDW	DOUBLE WICKET
LLFO	FULL OPEN
LLOFO	OFFSET FULL OPEN
LLF	NO WICKET DOOR



Lic.#223-02 TE-SC-OC-2520CQ

4625 CHENNAULT BEACH RD. ■ MUKILTEO, WA 98275

(206) 623-6141 ■ (425) 347-0947 ■ (206) 622-3497 ■ Fax (206) 622-6933

FRAME, MESH, MISC. SCREEN CODES

FRAME THICKNESS:

4	1/4" FRAME
5	5/16" FRAME
3	3/8" FRAME
7	7/16" FRAME
1	1" FRAME
LP-5	5/16 LIP FRAME
LP-7	1/2 LIP FRAME

FRAME COLOR:

WH	WHITE
GR	GRAY
AL	ALMOND
AD	ADOBE
TN	TAN
CY	CLAY
BR	BRONZE
DB	DARK BRONZE
BK	BLACK
TC	TRUTH CLAY

SCREEN MESH OPTIONS:

BF	BLACK FIBERGLASS
GF	GRAY FIBERGLASS
UV	ULTRAVUE
PS	PET SCREEN
A	BRITE ALUMINUM
BA	BLACK ALUMINUM
SS	SUN SCREEN
SX	SUN TEX
BW	BRONZE WIRE
ST	STAINLESS STEEL
AG	ALLERGY GUARD
VG	VIRUS GUARD

MISC.:

ETC	END TO CENTER
CBAR	CROSS BAR
PL	PLUNGER
CL	CENTER LINE