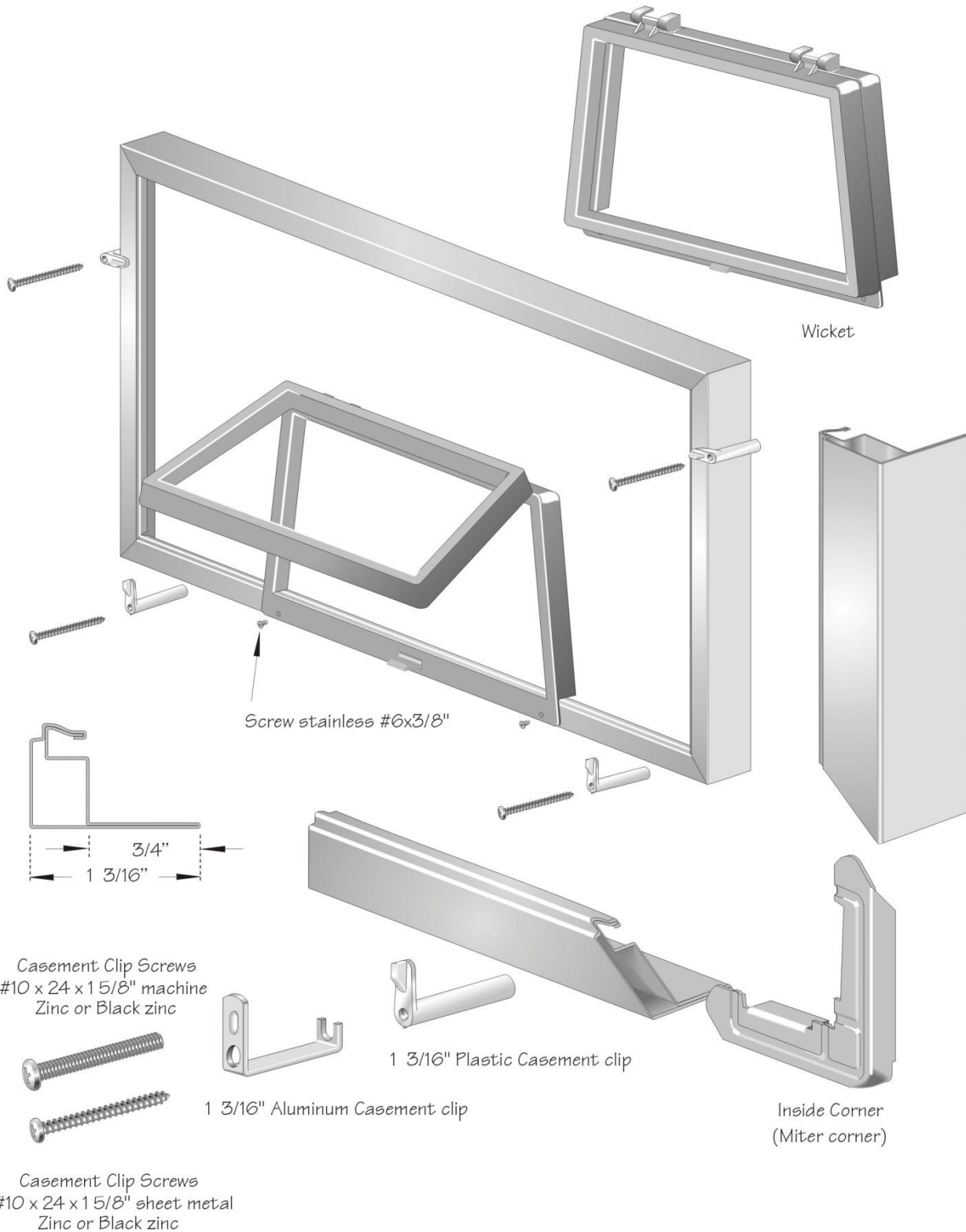


# 3/4" Standoff Screen with Wicket Door





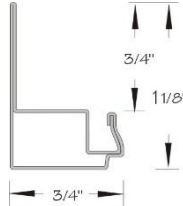
Lic. #223-02 TE-SC-OC-2520CQ

4625 CHENNAULT BEACH RD. ■ MUKILTEO, WA 98275

(206) 623-6141 ■ (425) 347-0947 ■ (206) 622-3497 ■ Fax (206) 622-6933

## WICKET SCREENS

ALUMINUM FRAMES - FIBERGLASS MESH - MITERED CORNERS - NET PRICES



**3/4 STAND OFF**

WHITE, GRAY, BRONZE

ALMOND, BLACK

	24	30	36	42	48	54	60
24	33.50	37.69	39.24	43.16	47.09	51.01	54.94
30	37.69	39.24	43.16	47.09	51.01	54.94	58.86
36	39.24	43.16	47.09	51.01	54.94	58.86	62.78
42	43.16	47.09	51.01	54.94	58.86	62.78	66.71
48	47.09	51.01	54.94	58.86	62.78	66.71	70.63
54	51.01	54.94	58.86	62.78	66.71	75.38	79.57
60	54.94	58.86	62.78	66.71	70.63	79.57	83.76
66	62.82	67.01	71.20	75.38	79.57	83.76	87.95
72	67.01	71.20	75.38	79.57	83.76	94.75	99.26

<b>DOUBLE WICKET</b>	<b>10.00</b>	<b>SLIDING WICKET</b>	<b>65.00</b>
<b>LONG LEG FLAT</b>	<b>10.00 DEDUCT</b>	<b>FULL OPEN</b>	<b>65.00</b>

**SCREEN MESH OPTIONS - SEE PAGES BELOW**



Lic. #223-02 TE-SC-OC-2520CQ

4625 CHENNAULT BEACH RD. ■ MUKILTEO, WA 98275

(206) 623-6141 ■ (425) 347-0947 ■ (206) 622-3497 ■ Fax (206) 622-6933

## ULTRAVUE MESH ADD ON

### NET PRICES

	24	30	36	48	60
24	6.48	7.29	8.10	9.72	11.34
30	7.29	8.10	8.91	10.53	12.15
36	8.10	8.91	9.72	11.34	12.96
42	8.91	9.72	10.53	12.15	13.77
48	9.72	10.53	11.34	12.96	14.58
54	10.53	11.34	12.15	13.77	15.39
60	11.34	12.15	12.96	14.58	17.52
66	12.15	12.96	13.77	15.39	18.40
72	12.96	13.77	14.58	17.52	19.27
78	13.77	14.58	15.39	18.40	22.91
84	14.58	15.39	17.52	19.27	23.90
90	15.39	17.52	18.40	22.91	24.90
96	17.52	18.40	21.91	23.90	40.56

RECOMMEND CROSSBAR BELOW DARK LINE

ADD 2.00 FOR WICKET	ADD 4.00 FOR DOUBLE WICKET
---------------------	----------------------------



Lic.#223-02 TE-SC-OC-2520CQ

4625 CHENNAULT BEACH RD. ■ MUKILTEO, WA 98275

(206) 623-6141 ■ (425) 347-0947 ■ (206) 622-3497 ■ Fax (206) 622-6933

## PET / SUN MESH ADD ON

### NET PRICES

	36	48	60
24	15.30	18.36	21.42
30	16.83	19.89	22.95
36	18.36	21.42	24.48
42	19.89	22.95	26.01
48	21.42	24.48	27.54
54	22.95	26.01	29.07
60	24.48	27.54	36.24
66	26.01	29.07	38.05
72	27.54	36.24	39.86
78	29.07	38.05	51.20
84	36.24	39.86	53.42
90	38.05	51.20	55.65
96	48.97	53.42	89.89

RECOMMEND CROSSBAR BELOW DARK LINE

ADD 3.00 FOR WICKET	ADD 6.00 FOR DOUBLE WICKET
---------------------	----------------------------



Lic. #223-02 TE-SC-OC-2520CQ

4625 CHENNAULT BEACH RD. ■ MUKILTEO, WA 98275

(206) 623-6141 ■ (425) 347-0947 ■ (206) 622-3497 ■ Fax (206) 622-6933

## ALUMINUM MESH ADD ON

### NET PRICES

	24	30	36	48	60
24	13.63	15.34	17.04	20.45	23.86
30	15.34	17.04	18.74	22.15	25.56
36	17.04	18.74	20.45	23.86	27.26
42	18.74	20.45	22.15	25.56	28.97
48	20.45	22.15	23.86	27.26	30.67
54	22.15	23.86	25.56	28.97	32.38
60	23.86	25.56	27.26	30.67	41.40
66	25.56	27.26	28.97	32.38	43.47
72	27.26	28.97	30.67	41.40	45.54
78	28.97	30.67	32.38	43.47	58.79
84	30.67	32.38	41.40	45.54	61.34
90	32.38	41.40	43.47	58.79	63.90
96	41.40	43.47	56.23	61.34	97.66

RECOMMEND CROSSBAR BELOW DARK LINE

ADD 4.00 FOR WICKET	ADD 8.00 FOR DOUBLE WICKET
---------------------	----------------------------



Lic.#223-02 TE-SC-OC-2520CQ

4625 CHENNAULT BEACH RD. ■ MUKILTEO, WA 98275

(206) 623-6141 ■ (425) 347-0947 ■ (206) 622-3497 ■ Fax (206) 622-6933

## ALLERGY / VIRUS GUARD MESH ADD ON

### NET PRICES

	24	30	36	48	60
24	16.32	18.36	20.40	24.48	28.56
30	18.36	20.40	22.44	26.52	30.60
36	20.40	22.44	24.48	28.56	32.64
42	22.44	24.48	26.52	30.60	34.68
48	24.48	26.52	28.56	32.64	36.72
54	26.52	28.56	30.60	34.68	38.76
60	28.56	30.60	32.64	36.72	50.40
66	30.60	32.64	34.68	38.76	52.92
72	32.64	34.68	36.72	50.40	55.44
78	34.68	36.72	38.76	52.92	66.24
84	36.72	38.76	50.40	55.44	69.12
90	38.76	50.40	52.92	66.24	72.00
96	50.40	52.92	63.36	69.12	84.24

RECOMMEND CROSSBAR BELOW DARK LINE

ADD 6.00 FOR WICKET	ADD 12.00 FOR DOUBLE WICKET
---------------------	-----------------------------



Lic. #223-02 TE-SC-OC-2520CQ

4625 CHENNAULT BEACH RD. ■ MUKILTEO, WA 98275

(206) 623-6141 ■ (425) 347-0947 ■ (206) 622-3497 ■ Fax (206) 622-6933

## BRONZE WIRE MESH ADD ON

### NET PRICES

	36	48	60
24	28.32	33.98	39.65
30	31.15	36.82	50.94
36	33.98	47.54	63.46
42	44.15	50.94	67.42
48	47.54	63.46	71.39
54	50.94	67.42	75.35
60	54.34	71.39	79.32
66	57.73	75.35	96.64
72	71.39	79.32	101.24
78	75.35	96.64	105.85
84	79.32	101.24	135.94
90	96.64	105.85	141.60
96	101.24	110.45	147.26

RECOMMEND CROSSBAR BELOW DARK LINE

ADD 8.00 FOR WICKET	ADD 16.00 FOR DOUBLE WICKET
---------------------	-----------------------------



Lic. #223-02 TE-SC-OC-2520CQ

4625 CHENNAULT BEACH RD. ■ MUKILTEO, WA 98275

(206) 623-6141 ■ (425) 347-0947 ■ (206) 622-3497 ■ Fax (206) 622-6933

## WICKET SCREEN CODES

### **FLAT WICKETS**

---

FW	WICKET
FDW	DOUBLE WICKET
FFO	FULL OPEN
FOFO	OFFSET FULL OPEN

### **1/2" STANDOFF WICKETS**

---

W	WICKET
DW	DOUBLE WICKET
FO	FULL OPEN
OFO	OFFSET FULL OPEN
SLF	NO WICKET DOOR

### **3/4" STANDOFF WICKETS**

---

LLW	WICKET
LLDW	DOUBLE WICKET
LLFO	FULL OPEN
LLOFO	OFFSET FULL OPEN
LLF	NO WICKET DOOR





Lic.#223-02 TE-SC-OC-2520CQ

4625 CHENNAULT BEACH RD. ■ MUKILTEO, WA 98275

(206) 623-6141 ■ (425) 347-0947 ■ (206) 622-3497 ■ Fax (206) 622-6933

## FRAME, MESH, MISC. SCREEN CODES

### FRAME THICKNESS:

4	1/4" FRAME
5	5/16" FRAME
3	3/8" FRAME
7	7/16" FRAME
1	1" FRAME
LP-5	5/16 LIP FRAME
LP-7	1/2 LIP FRAME

### FRAME COLOR:

WH	WHITE
GR	GRAY
AL	ALMOND
AD	ADOBE
TN	TAN
CY	CLAY
BR	BRONZE
DB	DARK BRONZE
BK	BLACK
TC	TRUTH CLAY

### SCREEN MESH OPTIONS:

BF	BLACK FIBERGLASS
GF	GRAY FIBERGLASS
UV	ULTRAVUE
PS	PET SCREEN
A	BRITE ALUMINUM
BA	BLACK ALUMINUM
SS	SUN SCREEN
SX	SUN TEX
BW	BRONZE WIRE
ST	STAINLESS STEEL
AG	ALLERGY GUARD
VG	VIRUS GUARD

### MISC.:

ETC	END TO CENTER
CBAR	CROSS BAR
PL	PLUNGER
CL	CENTER LINE