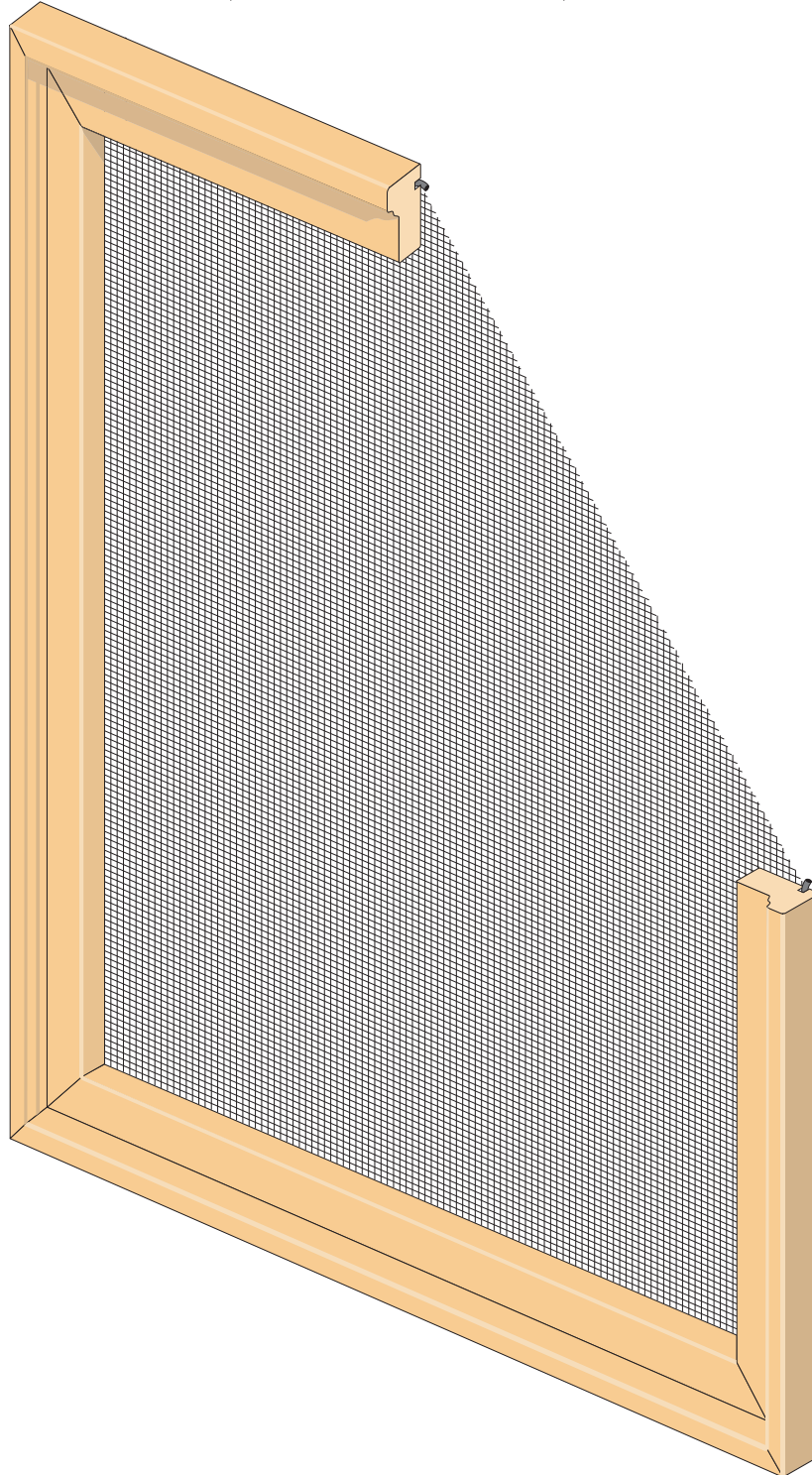
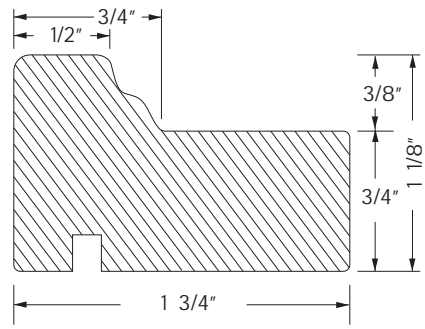


Airtite Wood Screen Frame





Lic. #223-02 TE-SC-OC-2520CQ

4625 CHENNAULT BEACH RD. ■ MUKILTEO, WA 98275

(206) 623-6141 ■ (425) 347-0947 ■ (206) 622-3497 ■ Fax (206) 622-6933

AIR TITE STYLE WOOD SCREENS UNFINISHED FIR FRAME / FIBERGLASS MESH 1-3/4 X 3/4

NET PRICES

	24	30	36	42	48	54	60
24	116.16	130.68	145.20	159.72	174.24	188.76	203.28
30	130.68	145.20	159.72	174.24	188.76	203.28	217.80
36	145.20	159.72	174.24	188.76	203.28	217.80	232.32
42	159.72	174.24	188.76	203.28	217.80	232.32	246.84
48	174.24	188.76	203.28	217.80	232.32	246.84	261.36
54	188.76	203.28	217.80	232.32	246.84	261.36	275.88
60	203.28	217.80	232.32	246.84	261.36	275.88	290.40
66	217.80	232.32	246.84	261.36	275.88	290.40	304.92
72	232.32	246.84	261.36	275.88	290.40	304.92	319.44

CROSSBAR RECOMMENDED ON SCREENS TO THE RIGHT SIDE OF DARK LINE

WICKET	EACH	55.00
CROSSBAR (2 FT MINIMUM)	PER FOOT	15.00

SCREEN MESH OPTIONS

SEE LAST PAGE OF SECTION



Lic. #223-02 TE-SC-OC-2520CQ

4625 CHENNAULT BEACH RD. ■ MUKILTEO, WA 98275

(206) 623-6141 ■ (425) 347-0947 ■ (206) 622-3497 ■ Fax (206) 622-6933

ULTRAVUE MESH ADD ON

NET PRICES

	24	30	36	48	60
24	6.48	7.29	8.10	9.72	11.34
30	7.29	8.10	8.91	10.53	12.15
36	8.10	8.91	9.72	11.34	12.96
42	8.91	9.72	10.53	12.15	13.77
48	9.72	10.53	11.34	12.96	14.58
54	10.53	11.34	12.15	13.77	15.39
60	11.34	12.15	12.96	14.58	17.52
66	12.15	12.96	13.77	15.39	18.40
72	12.96	13.77	14.58	17.52	19.27
78	13.77	14.58	15.39	18.40	22.91
84	14.58	15.39	17.52	19.27	23.90
90	15.39	17.52	18.40	22.91	24.90
96	17.52	18.40	21.91	23.90	40.56

RECOMMEND CROSSBAR BELOW DARK LINE

ADD 2.00 FOR WICKET	ADD 4.00 FOR DOUBLE WICKET
---------------------	----------------------------



Lic. #223-02 TE-SC-OC-2520CQ

4625 CHENNAULT BEACH RD. ■ MUKILTEO, WA 98275

(206) 623-6141 ■ (425) 347-0947 ■ (206) 622-3497 ■ Fax (206) 622-6933

PET / SUN MESH ADD ON

NET PRICES

	36	48	60
24	15.30	18.36	21.42
30	16.83	19.89	22.95
36	18.36	21.42	24.48
42	19.89	22.95	26.01
48	21.42	24.48	27.54
54	22.95	26.01	29.07
60	24.48	27.54	36.24
66	26.01	29.07	38.05
72	27.54	36.24	39.86
78	29.07	38.05	51.20
84	36.24	39.86	53.42
90	38.05	51.20	55.65
96	48.97	53.42	89.89

RECOMMEND CROSSBAR BELOW DARK LINE

ADD 3.00 FOR WICKET	ADD 6.00 FOR DOUBLE WICKET
---------------------	----------------------------



Lic. #223-02 TE-SC-OC-2520CQ

4625 CHENNAULT BEACH RD. ■ MUKILTEO, WA 98275

(206) 623-6141 ■ (425) 347-0947 ■ (206) 622-3497 ■ Fax (206) 622-6933

ALUMINUM MESH ADD ON

NET PRICES

	24	30	36	48	60
24	13.63	15.34	17.04	20.45	23.86
30	15.34	17.04	18.74	22.15	25.56
36	17.04	18.74	20.45	23.86	27.26
42	18.74	20.45	22.15	25.56	28.97
48	20.45	22.15	23.86	27.26	30.67
54	22.15	23.86	25.56	28.97	32.38
60	23.86	25.56	27.26	30.67	41.40
66	25.56	27.26	28.97	32.38	43.47
72	27.26	28.97	30.67	41.40	45.54
78	28.97	30.67	32.38	43.47	58.79
84	30.67	32.38	41.40	45.54	61.34
90	32.38	41.40	43.47	58.79	63.90
96	41.40	43.47	56.23	61.34	97.66

RECOMMEND CROSSBAR BELOW DARK LINE

ADD 4.00 FOR WICKET	ADD 8.00 FOR DOUBLE WICKET
---------------------	----------------------------



Lic.#223-02 TE-SC-OC-2520CQ

4625 CHENNAULT BEACH RD. ■ MUKILTEO, WA 98275

(206) 623-6141 ■ (425) 347-0947 ■ (206) 622-3497 ■ Fax (206) 622-6933

ALLERGY / VIRUS GUARD MESH ADD ON

NET PRICES

	24	30	36	48	60
24	16.32	18.36	20.40	24.48	28.56
30	18.36	20.40	22.44	26.52	30.60
36	20.40	22.44	24.48	28.56	32.64
42	22.44	24.48	26.52	30.60	34.68
48	24.48	26.52	28.56	32.64	36.72
54	26.52	28.56	30.60	34.68	38.76
60	28.56	30.60	32.64	36.72	50.40
66	30.60	32.64	34.68	38.76	52.92
72	32.64	34.68	36.72	50.40	55.44
78	34.68	36.72	38.76	52.92	66.24
84	36.72	38.76	50.40	55.44	69.12
90	38.76	50.40	52.92	66.24	72.00
96	50.40	52.92	63.36	69.12	84.24

RECOMMEND CROSSBAR BELOW DARK LINE

ADD 6.00 FOR WICKET	ADD 12.00 FOR DOUBLE WICKET
---------------------	-----------------------------



Lic.#223-02 TE-SC-OC-2520CQ

4625 CHENNAULT BEACH RD. ■ MUKILTEO, WA 98275

(206) 623-6141 ■ (425) 347-0947 ■ (206) 622-3497 ■ Fax (206) 622-6933

BRONZE WIRE MESH ADD ON

NET PRICES

	36	48	60
24	28.32	33.98	39.65
30	31.15	36.82	50.94
36	33.98	47.54	63.46
42	44.15	50.94	67.42
48	47.54	63.46	71.39
54	50.94	67.42	75.35
60	54.34	71.39	79.32
66	57.73	75.35	96.64
72	71.39	79.32	101.24
78	75.35	96.64	105.85
84	79.32	101.24	135.94
90	96.64	105.85	141.60
96	101.24	110.45	147.26

RECOMMEND CROSSBAR BELOW DARK LINE

ADD 8.00 FOR WICKET	ADD 16.00 FOR DOUBLE WICKET
---------------------	-----------------------------