



Lic. #223-02 TE-SC-OC-2520CQ

4625 CHENNAULT BEACH RD. ■ MUKILTEO, WA 98275

(206) 623-6141 ■ (425) 347-0947 ■ (206) 622-3497 ■ Fax (206) 622-6933

## SCREEN HARDWARE

### NET PRICES

**GARVIE SPRING 0.25 EA**



**WIRE SPRING 0.25 EA**



**CLEAR LIFT TAB 0.25 EA**



**FLAT WINDOW SPRING 0.50 EA**



**SNAP BUTTON 0.50 EA**



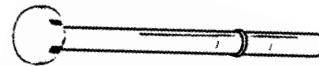
**SLIDE LOCK 0.50 EA**



**SPREADER BAR CLIP 0.50 EA**



**MARK X PIN 0.75 EA**



**7/32 PLUNGER 1.50 EA**



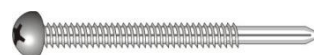
**5/32 PLUNGER 1.50 EA**



**POINTED PLUNGER 1.50 EA**



**NAIL POINT SCREW 1.00 EA**





Lic. #223-02 TE-SC-OC-2520CQ

4625 CHENNAULT BEACH RD. ■ MUKILTEO, WA 98275

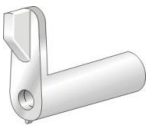
(206) 623-6141 ■ (425) 347-0947 ■ (206) 622-3497 ■ Fax (206) 622-6933

## SCREEN CLIPS

### NET PRICES

#### DIE CAST CASEMENT CLIPS

1.25 EA



1 3/16"  
BLACK

#### ALUMINUM CASEMENT CLIPS



3/8"  
0.50 EA



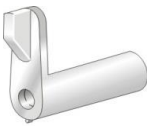
7/8"  
0.50 EA



1-3/16"  
0.50 EA

#### PLASTIC CASEMENT CLIPS

0.50 EA



1 3/16"  
WHITE, GRAY

#### SCREWS FOR CASEMENT CLIPS

ZINC OR BLACK ZINC



#10 X 24 X 3/4  
0.50 EA



#10 X 24 X 1-1/4  
0.50 EA



#10 X 24 X 1-5/8  
0.50 EA



0.50 EA

3/8"  
WHITE, BLACK, GRAY

#### H&D TOP SCREEN CLIPS

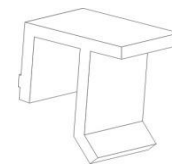
0.35 EA

BOTTOM NOT AVAILABLE



0.25 EA

Flat  
WHITE, BLACK



TOP



Lic. #223-02 TE-SC-OC-2520CQ

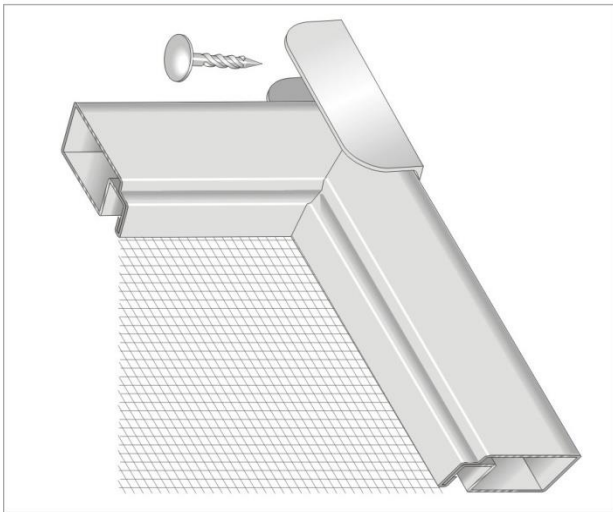
4625 CHENNAULT BEACH RD. ■ MUKILTEO, WA 98275

(206) 623-6141 ■ (425) 347-0947 ■ (206) 622-3497 ■ Fax (206) 622-6933

**DOUBLE HUNG HARDWARE SETS**  
**WHITE, BRONZE, MILL**

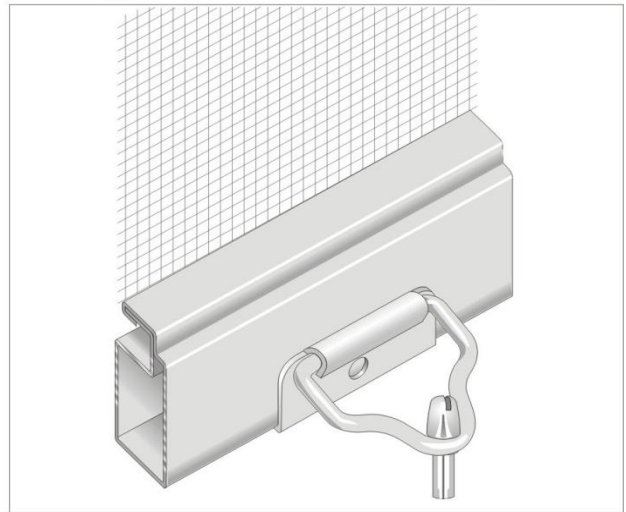
**5.00 EA**

**JIFFY HANGERS with NAILS**



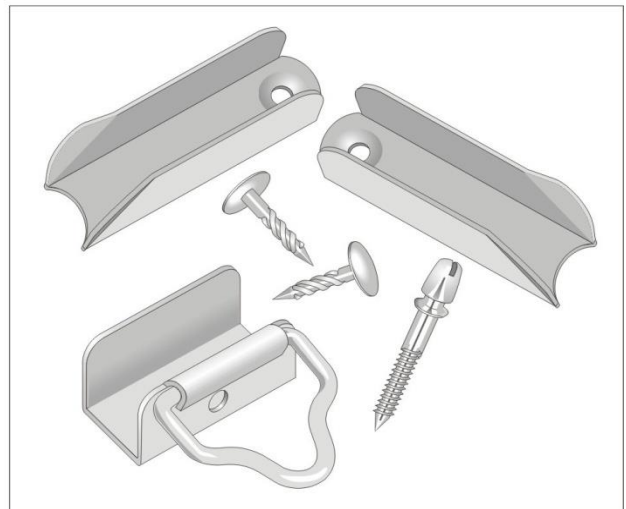
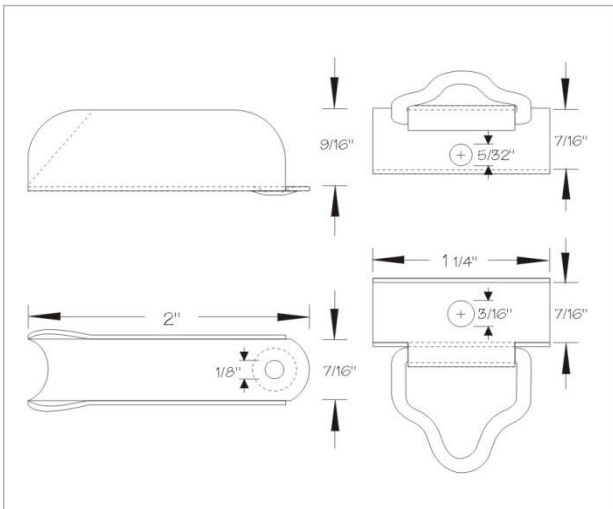
To support upper part of screen frame.  
 Swivels out for easy screen removal.

**SLIP-ON BAIL LATCH**



To hold bottom of screen in window frame.

**DOUBLE-HUNG SCREEN HARDWARE KIT**





Lic.#223-02 TE-SC-OC-2520CQ

4625 CHENNAULT BEACH RD. ■ MUKILTEO, WA 98275

(206) 623-6141 ■ (425) 347-0947 ■ (206) 622-3497 ■ Fax (206) 622-6933

## SCREEN FRAME

### NET PRICES

<u>SCREEN FRAME 12'6" LENGTHS:</u>		<u>EACH</u>	<u>BOX PRICE WHITE ONLY</u>
5/16 X 3/4	WHITE, GRAY, BRONZE, ALMOND	6.73	817.76 (152 PCS)
3/8 X 3/4	WHITE, GRAY, BRONZE, ALMOND	8.03	821.76 (128 PCS)
7/16 X 3/4	WHITE, GRAY, BRONZE, ALMOND	9.91	887.04 (112 PCS)
5/16" LIP	WHITE, BRONZE, ALMOND	9.01	
1/4 X 3/4	WHITE, GRAY, BRONZE	9.24	
1" FRAME	WHITE, GRAY, BRONZE	12.91	
1/2" LIP	WHITE, GRAY, BRONZE	24.74	
1/2" S.O.	WHITE, GRAY, BRONZE	25.06	
3/4" S.O.	WHITE, GRAY, BRONZE, ALMOND	27.34	



Lic.#223-02 TE-SC-OC-2520CQ

4625 CHENNAULT BEACH RD. ■ MUKILTEO, WA 98275

(206) 623-6141 ■ (425) 347-0947 ■ (206) 622-3497 ■ Fax (206) 622-6933

## SCREEN MESH

### NET PRICES

#### PER SQ FT:

GF / BF	UV	PS	SX	SS	BA / A	BW	AG / VG
0.38	0.65	1.15	1.15	1.15	0.87	3.38	2.38

#### PER 100' ROLL:

	GF / BF	UV	PS	SX	SS	BA / A	BW
18"	34.50	N/A	N/A	N/A	N/A	87.00	N/A
24"	46.00	86.00	N/A	N/A	193.76	116.00	N/A
30"	57.50	107.50	N/A	N/A	242.20	145.00	N/A
36"	69.00	129.00	249.00	290.64	290.64	174.00	810.00
48"	92.00	172.00	332.00	387.52	387.52	232.00	1080.00
60"	115.00	215.00	N/A	484.40	484.40	290.00	1350.00
72"	138.00	258.00	N/A	N/A	581.28	348.00	N/A
84"	161.00	301.00	N/A	N/A	678.16	N/A	N/A

#### PER 600' ROLL:

	GF / BF	CODE	TYPE	CODE	TYPE
18"	189.00	GF	GRAY FIBERGLASS	SX	SUN TEX
24"	252.00	BF	BLACK FIBERGLASS	SS	SUN SCREEN
30"	315.00	UV	ULTRAVUE	BA	BLACK ALUMINUM
36"	378.00	PS	PET SCREEN	A	BRIGHT ALUMINUM
48"	504.00	AG	ALLERGY GUARD	BW	BRONZE WIRE
		VG	VIRUS GUARD		



Lic. #223-02 TE-SC-OC-2520CQ

4625 CHENNAULT BEACH RD. ■ MUKILTEO, WA 98275

(206) 623-6141 ■ (425) 347-0947 ■ (206) 622-3497 ■ Fax (206) 622-6933

## SCREEN SPLINE NET PRICES

<u>DIAMETER</u>	<u>PER FOOT</u>	<u>500' ROLL</u>	<u>SPLINE TYPE</u>
0.145	0.16	52.68	BLACK FOAM
0.160	0.16	52.68	BLACK FOAM
0.180	0.16	52.68	BLACK FOAM

### 15 LB BULK ROLLS

(BLACK HOLLOW CORE VINYL)

<u>DIAMETER</u>	<u>ROLL LENGTH</u>	<u>PRICE PER ROLL</u>
0.125	2670'	99.00
0.135	2190'	99.00
0.150	1815'	99.00
0.165	1875'	99.00
0.170	1410'	99.00
0.175	1320'	99.00
0.180	1325'	99.00
0.185	1140'	99.00
0.190	1050'	99.00
0.200	975'	99.00
0.220	885'	99.00
0.230	800'	99.00
0.250	650'	99.00



TEEN SCREEN & WINDOW

**TESCO**  
GLASS PRODUCTS

Lic.#223-02 TE-SC-OC-2520CQ

4625 CHENNAULT BEACH RD. ■ MUKILTEO, WA 98275

(206) 623-6141 ■ (425) 347-0947 ■ (206) 622-3497 ■ Fax (206) 622-6933

## SCREEN COMPONENTS

### NET PRICES

### CORNERS

<u>TYPE</u>	<u>EACH</u>
PLASTIC CORNER FOR 5/16, 3/8, 7/16 FRAME	0.25
PLASTIC CORNER FOR 5/16 LIP FRAME	0.50
MITERED CORNER FOR 1/4 OR 1" FRAME	0.50
MITERED CORNER FOR 1/2 LIP FRAME	0.50
MITERED CORNER FOR STAND OFF FRAME	0.50

### WICKETS

<u>TYPE</u>	<u>EACH</u>	
PLASTIC (BRZ, WHITE, GRAY, ALMOND)	8.00	W/ OUT MESH
	10.00	W/ FIBERGLASS MESH



Lic.#223-02 TE-SC-OC-2520CQ

4625 CHENNAULT BEACH RD. ■ MUKILTEO, WA 98275

(206) 623-6141 ■ (425) 347-0947 ■ (206) 622-3497 ■ Fax (206) 622-6933

## PATIO SCREEN DOOR COMPONENTS

### NET PRICES

<b>BUG SEALS FOR 600 SERIES DOOR</b>	<b>PER FOOT</b>	<b>0.99</b>
<b>WOOL PILE</b>	<b>PER FOOT</b>	<b>0.38</b>
<b>HANDLE SET COMPLETE</b>		<b>11.80</b>
<b>LOCK STRIKE W/ SCREWS</b>		<b>2.88</b>
<b>NYLON ROLLERS W/ BRACKET &amp; SPRING</b>		<b>2.49</b>
<b>STEEL WHEELS</b>		<b>3.49</b>
<b>CORNERS W/ SCREW</b>		<b>2.49</b>
<b>BLACK VINYL ASTRAGAL 8' STOCK LENGTH FOR OXXO</b>		<b>14.82</b>

#### KD PATIO'S - NO MESH - BRONZE, WHITE, GRAY, ALMOND

<u>600 SERIES</u>		<u>900 SERIES</u>		<u>1350 SERIES</u>	
37 X 82	\$101.18	37 X 82	\$114.51	37 X 82	\$146.76
49 X 82	\$109.32	49 X 82	\$123.99	49 X 82	\$159.49
37 X 96	\$124.92	37 X 96	\$141.07	37 X 96	\$179.44
49 X 96	\$133.06	49 X 96	\$150.55	49 X 96	\$192.17





Lic. #223-02 TE-SC-OC-2520CQ

4625 CHENNAULT BEACH RD. ■ MUKILTEO, WA 98275

(206) 623-6141 ■ (425) 347-0947 ■ (206) 622-3497 ■ Fax (206) 622-6933

## REPLACEMENT HARDWARE

### NET PRICES

<b>CASEMENT HANDLES (GRAY, BRONZE, WHITE)</b>	<b>FOR PUSHOUT TYPE ALUM. WINDOW COMPLETE WITH STRIKE &amp; SCREW</b>	<b>13.98 17.98</b>
<b>CHARLIE BARS</b>	<b>CLEAR, BRONZE, WHITE</b>	<b>17.81</b>
<b>PATIO DOOR ROLLERS</b>	<b>CALL FOR PRICING &amp; AVAILABILITY</b>	
<b>PATIO DOOR HANDLES</b>	<b>CALL FOR PRICING &amp; AVAILABILITY</b>	
<b>ANDERBERG HINGES</b>	<b>8" 10" 12"</b>	<b>22.49 25.49 26.99</b>
<b>STAINLESS TRACK CAP - 8'</b>		<b>16.49</b>