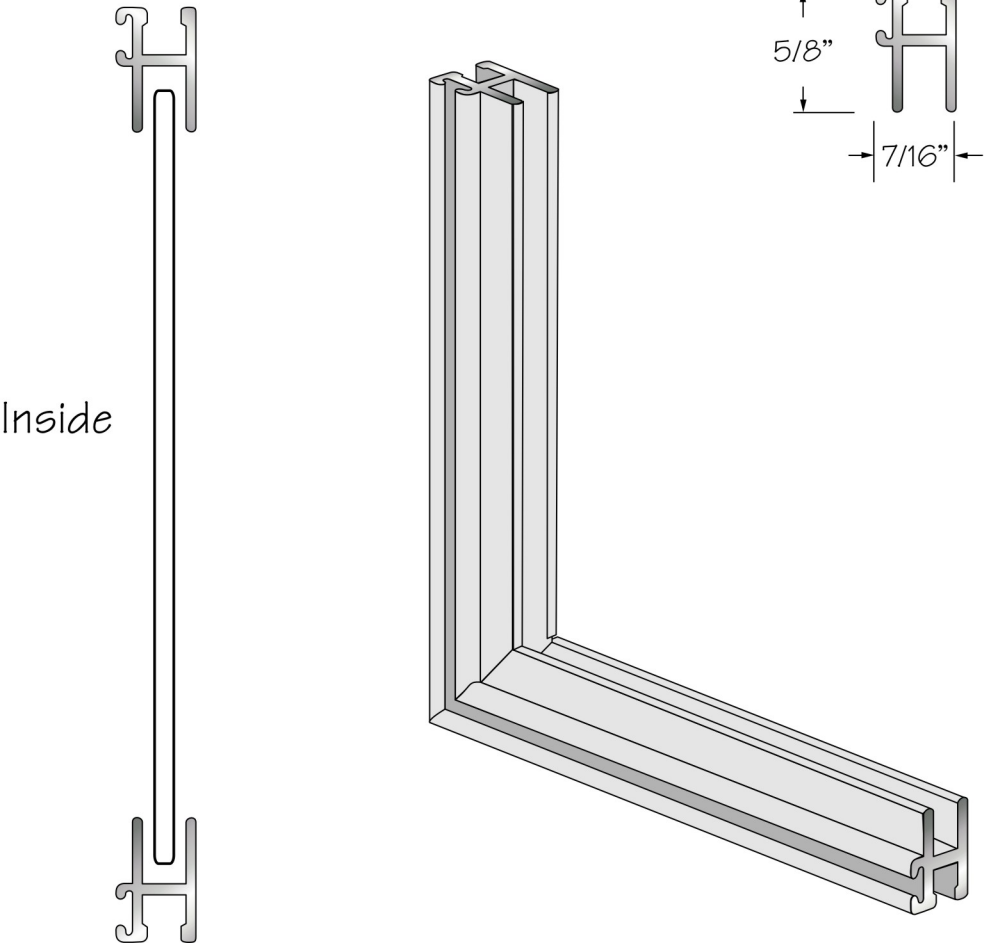
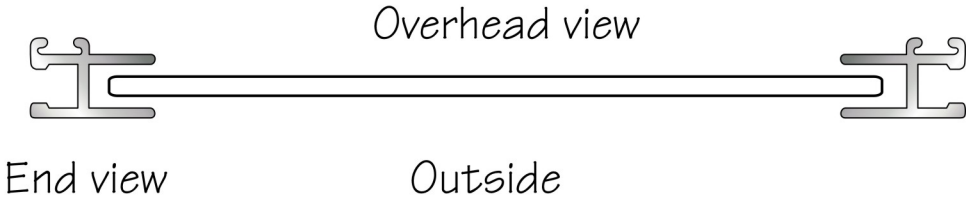


TESCO GLASS PRODUCTS

Aluminum Weatherstrip Panel





Lic.#223-02 TE-SC-OC-2520CQ

4625 CHENNAULT BEACH RD. ■ MUKILTEO, WA 98275

(206) 623-6141 ■ (425) 347-0947 ■ (206) 622-3497 ■ Fax (206) 622-6933

ALUMINUM WEATHERSTRIP PANEL

CLEAR, BRONZE, WHITE

NET PRICES

	24	30	36	42	48	54	60	66	72	84	96
24	67.20	75.60	84.00	92.40	100.80	109.20	117.60	126.00	134.40	151.20	168.00
30	75.60	84.00	92.40	100.80	109.20	117.60	126.00	134.40	142.80	159.60	176.40
36	84.00	92.40	100.80	109.20	117.60	126.00	134.40	142.80	151.20	277.20	304.92
42	92.40	100.80	109.20	117.60	126.00	134.40	142.80	151.20	263.34	291.06	318.78
48	100.80	109.20	117.60	126.00	134.40	142.80	151.20	263.34	277.20	304.92	332.64
54	109.20	117.60	126.00	134.40	142.80	151.20	263.34	277.20	291.06	318.78	346.50
60	117.60	126.00	134.40	142.80	151.20	263.34	277.20	291.06	304.92	332.64	360.36
66	126.00	134.40	142.80	151.20	263.34	277.20	291.06	304.92	318.78	346.50	
72	134.40	142.80	151.20	263.34	277.20	291.06	304.92	318.78	332.64		
84	151.20	159.60	277.20	291.06	304.92	318.78	332.64	346.50			
96	159.60	176.40	304.92	318.78	332.64	346.50	360.36				

UNITS TO THE RIGHT OF THE DARK LINE HAVE 3/16" GLASS



4625 CHENNAULT BEACH RD. ■ MUKILTEO, WA 98275

(206) 623-6141 ■ (425) 347-0947 ■ (206) 622-3497 ■ Fax (206) 622-6933

ALUMINUM STORM WINDOW CODES

WINDOW CODES:

PP STORM	PLAIN PANEL STORM WINDOW
WP STORM	PLAIN PANEL STORM WINDOW WITH WEATHERSTRIP
MH STORM	LIP FRAME (MOBILE HOME STYLE) STORM WINDOW

FINISHES:

WH	WHITE
BR	BRONZE
CL	CLEAR

GLASS OPTIONS:

AN	CLEAR ANNEALD
TP	CLEAR TEMPERED
LM	3/16 LAMINATED
LE	HARDCOAT LOWE
OB	OBSCURE GLASS (P516)